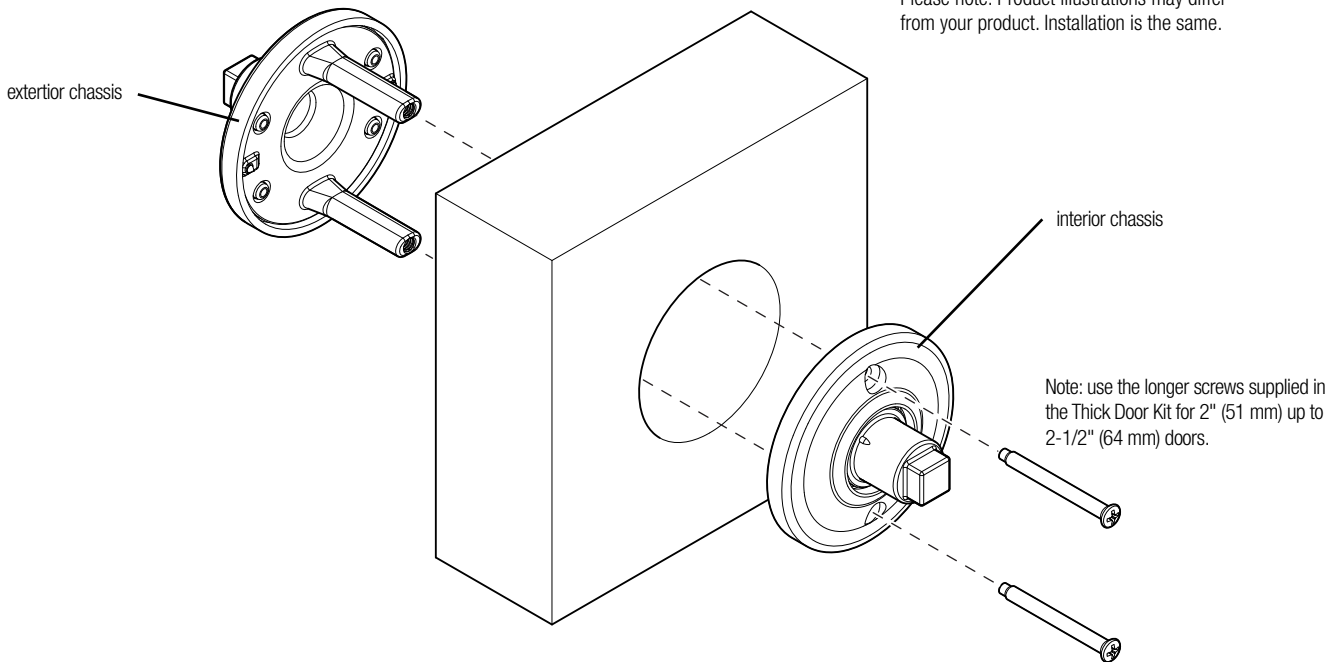


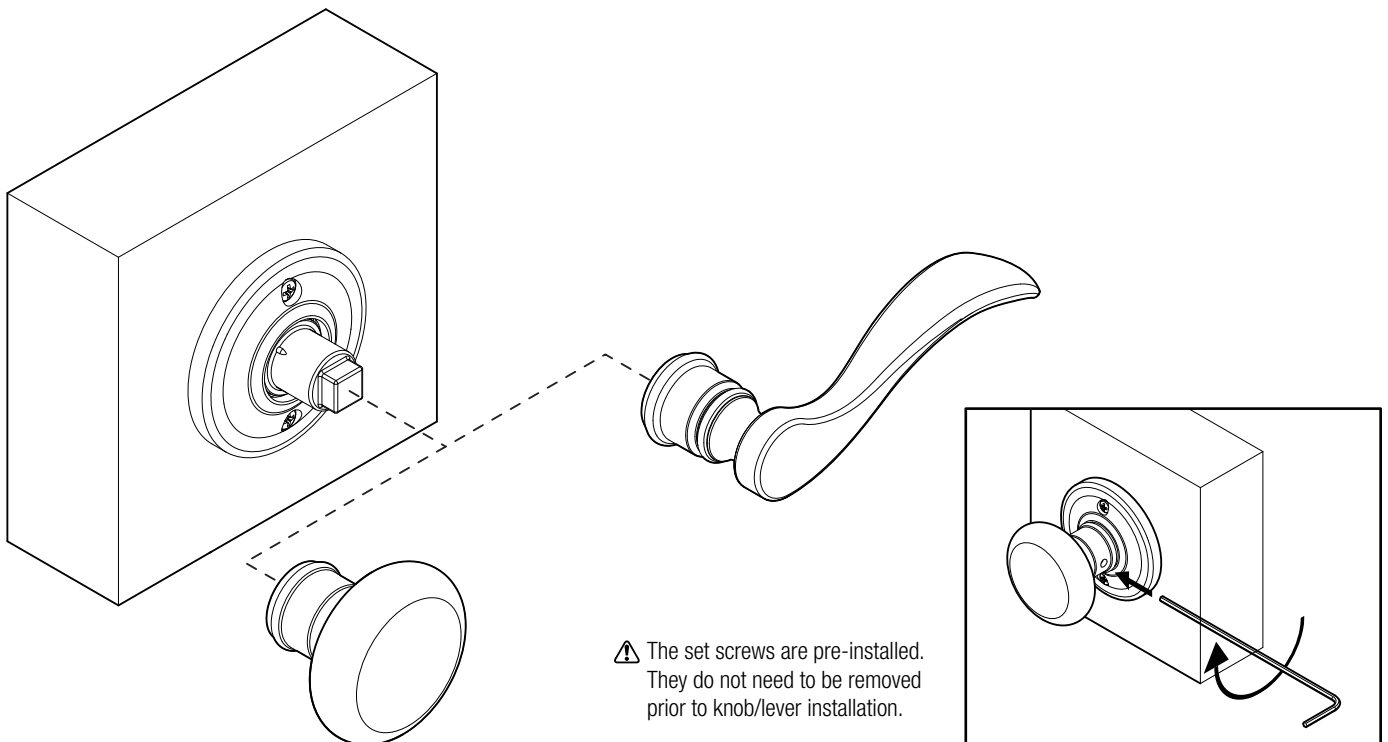
1. Install Chassis

Secure chassis to door with screws.



2. Install knob/lever

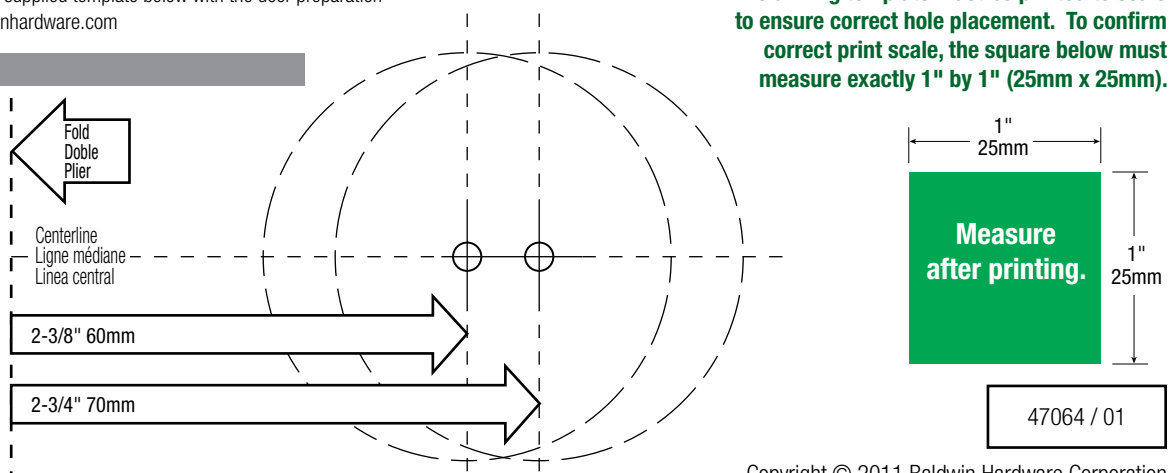
Place knob or lever onto chassis and turn set screw clockwise to secure. Repeat for knob or lever on the other side.



Door Preparation

If your door requires drilling, use the supplied template below with the door preparation instructions available at www.baldwinhardware.com

TEMPLATE



The drilling template must be printed to scale to ensure correct hole placement. To confirm correct print scale, the square below must measure exactly 1" by 1" (25mm x 25mm).