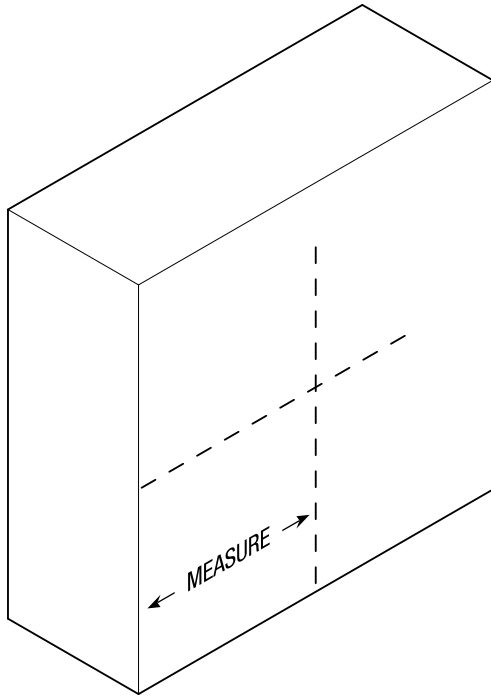


1. Measure and Prepare door

Measure your door for a backset of 2-3/8" (60mm) or 2-3/4" (70mm).
Refer to the template.

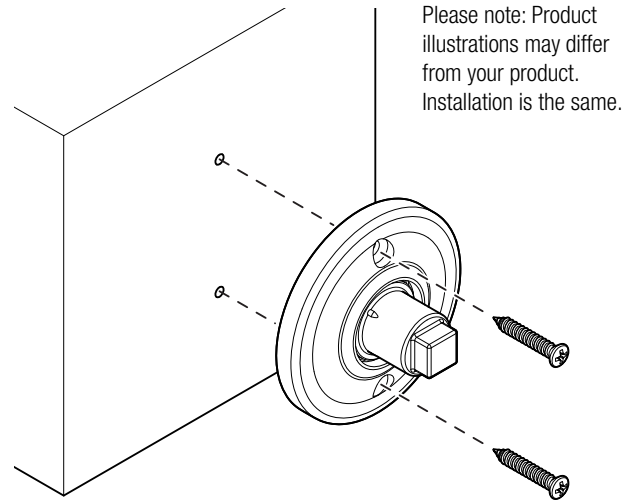


Drilling instructions for door preparation

1. Place desired fold line of template (below) on door edge with centerline approximately 38" (965mm) from floor.
2. Mark screw hole centers.
3. Where marked, drill 1/8" (3 mm) diameter pilot holes, 3/4" (19mm) deep.

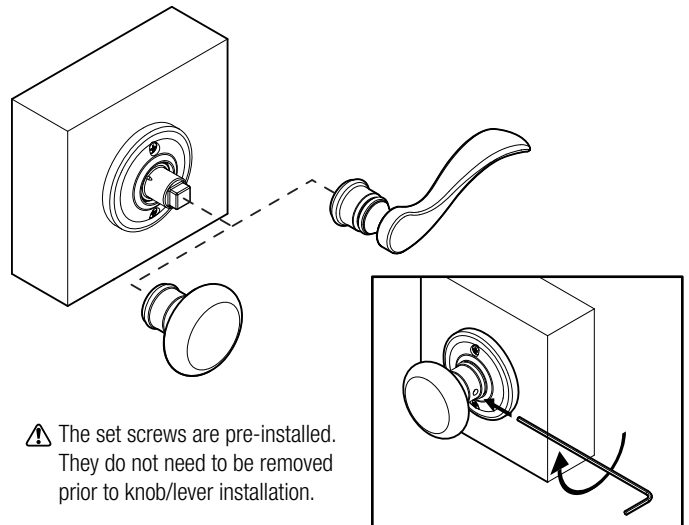
2. Install Trim

Secure trim to door with screws.

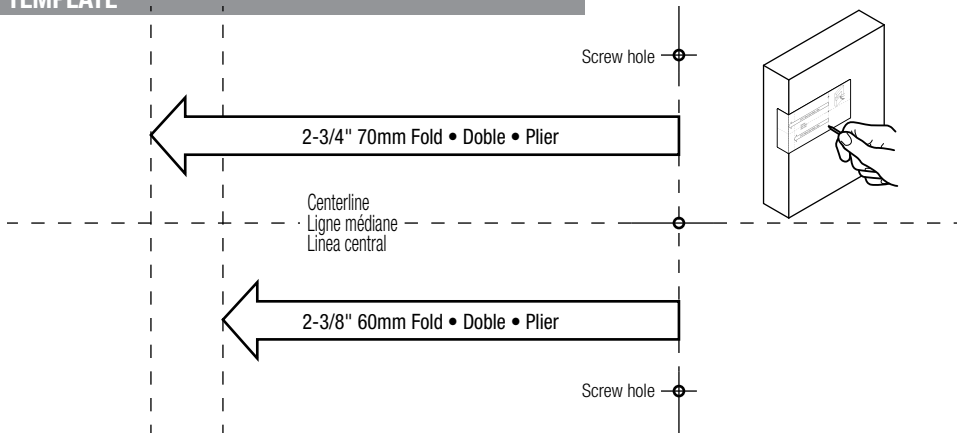


3. Install knob/lever

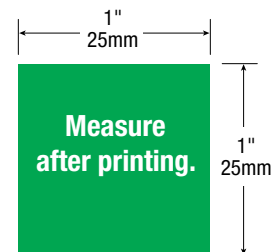
Place knob or lever onto chassis and turn set screw clockwise to secure.



TEMPLATE



The drilling template must be printed to scale to ensure correct hole placement. To confirm correct print scale, the square below must measure exactly 1" by 1" (25mm x 25mm).



47037 / 01