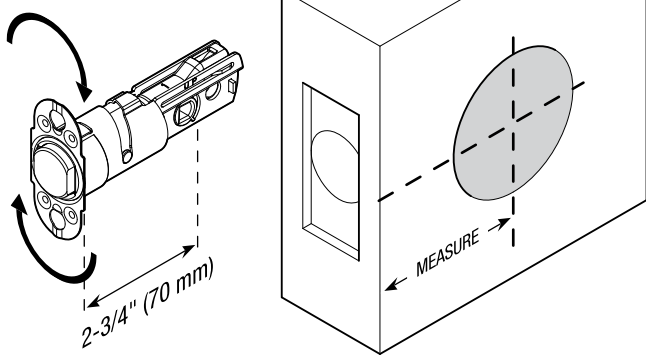


1. Adjust and install latch

Measure your door backset as shown.

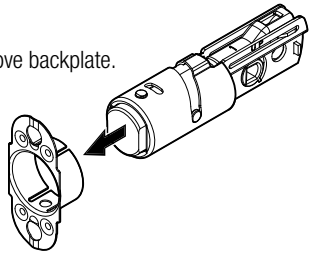


⚠ If backset of door measures 2 3/4" (70mm), adjust latch by rotating face as shown.

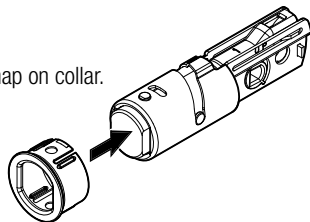
LATCH FACE ASSEMBLY

For Drive-In Latch

Remove backplate.

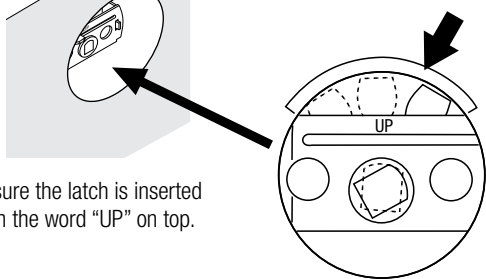


Snap on collar.



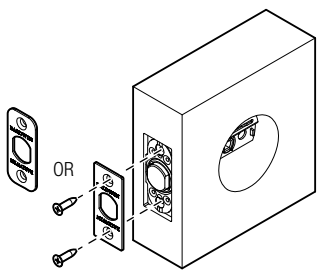
LATCH INSTALLATION

Note, for a 1-1/2" (38 mm) diameter hole, test if latch extends and retracts. Chisel out area if required.



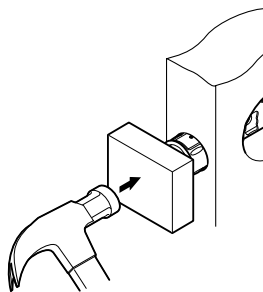
Ensure the latch is inserted with the word "UP" on top.

For Square Corner/ Round Corner



Install with 1/2" (13 mm) screws.

For Drive-In Latch

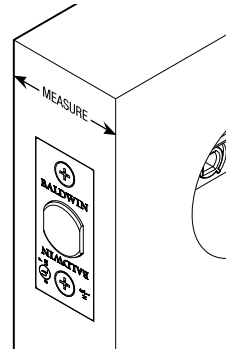


Drive in with hammer.

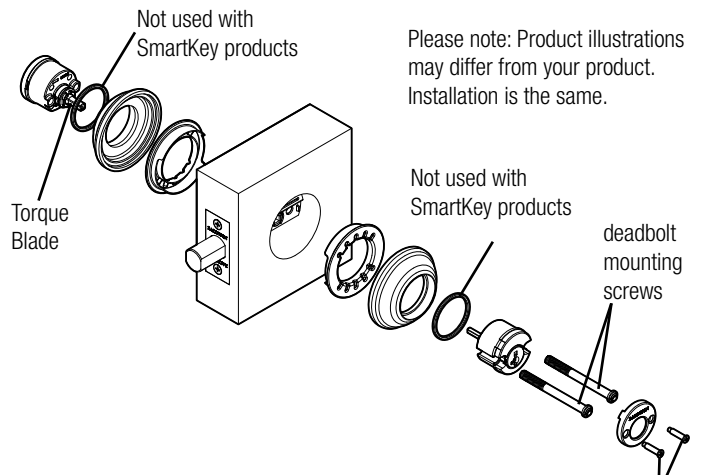
⚠ **WARNING:** This Manufacturer advises that no lock can provide complete security by itself. This lock may be defeated by forcible or technical means, or evaded by entry elsewhere on the property. No lock can substitute for caution, awareness of your environment, and common sense. Builder's hardware is available in multiple performance grades to suit the application. In order to enhance security and reduce risk, you should consult a qualified locksmith or other security professional.

2. Measure door thickness

- If door measures 1-3/4" (44 mm): Use shorter deadbolt mounting screws in Step 3.
- If door measures between 1-3/4" (44 mm) and 2" (51 mm): Use longer torque blade supplied in the box. See illustrations in Thick Door Installation Instructions below to replace the torque blade. After torque blade replacement, proceed to Step 3 and install deadbolt with longer mounting screws supplied in the box.
- If door is thicker than 2" (51 mm): See Thick Door Installation Instructions below.

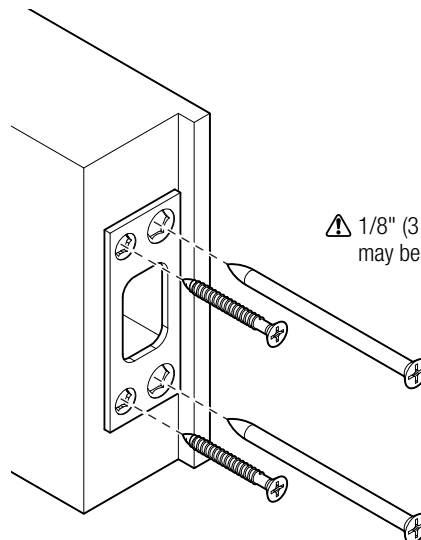


3. Install Trim



Please note: Product illustrations may differ from your product. Installation is the same.

4. Install Strike



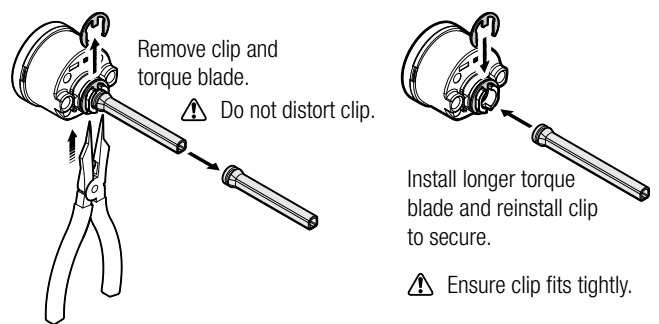
⚠ 1/8" (3 mm) pilot holes may be required.

⚠ Do not overtighten screws.

THICK DOOR KIT INSTALLATION INSTRUCTIONS (AVAILABLE SEPARATELY)

Supports 2" (51 mm) up to 2-1/2" (64 mm) doors

After the completion of Step 1, install the longer torque blade supplied in the kit. Proceed to Step 3 and install with longer screws.



Remove clip and torque blade.
⚠ Do not distort clip.

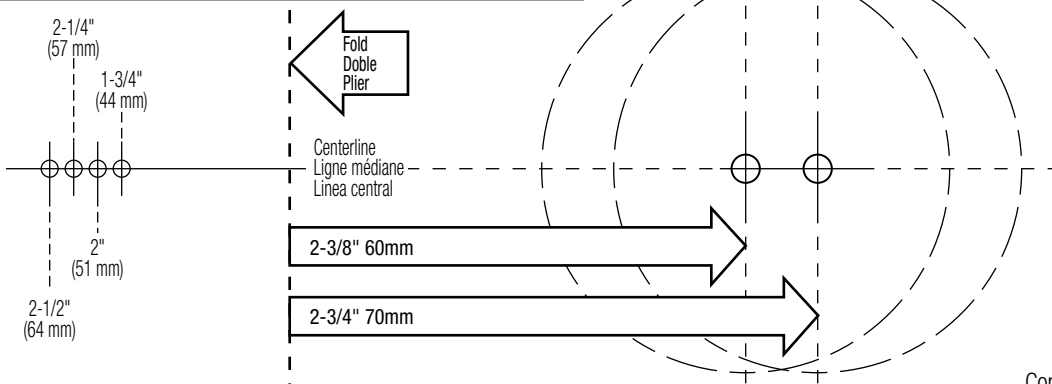
Install longer torque blade and reinstall clip to secure.

⚠ Ensure clip fits tightly.

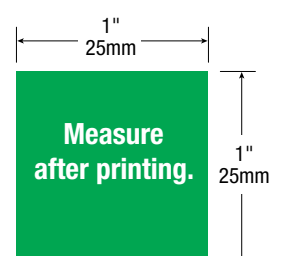
Door Preparation

If your door requires drilling, use the supplied template below with the door preparation instructions available at www.baldwinhardware.com

TEMPLATE



The drilling template must be printed to scale to ensure correct hole placement. To confirm correct print scale, the square below must measure exactly 1" by 1" (25mm x 25mm).



47065 / 02