



Soap Basket w/ Grab Bar Spec Sheet

Application use:

- Architectural
- Commercial
- Institutional
- Residential

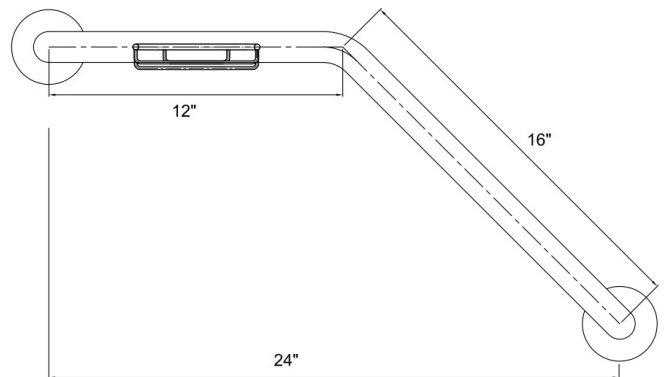
Specification:

The Soap Basket Grab Bar, is manufactured using high quality 18 gauge 1.25" diameter 304 stainless steel.

Clean finished look using a concealed flange cover and a winigt compatible flange base with 5 optional screw hole ports makes locating on a stud or hollow wall even easier than ever.

The Bilanx Bath Collection is designed, built, and tested to 500lbs exceeding HUD, FHA, VA, ADA, ANSI and other federal, provincial, and local codes.

* Grab Bars can only be as strong as what they are mounted to. It is imperative when installing any safety product to consult with a qualified contractor to insure you have sufficient backing.



Easy to mount flange!
Welded, 3" round, 5 hole flange with
concealed cover.

